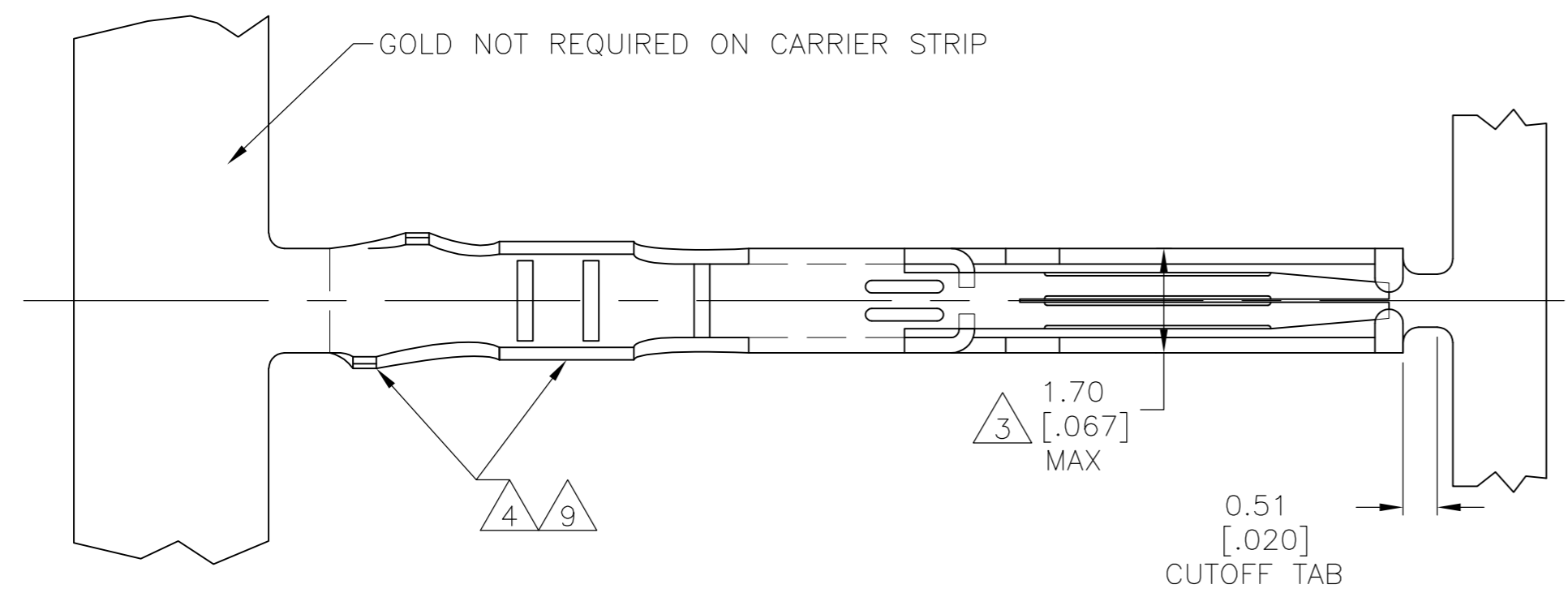
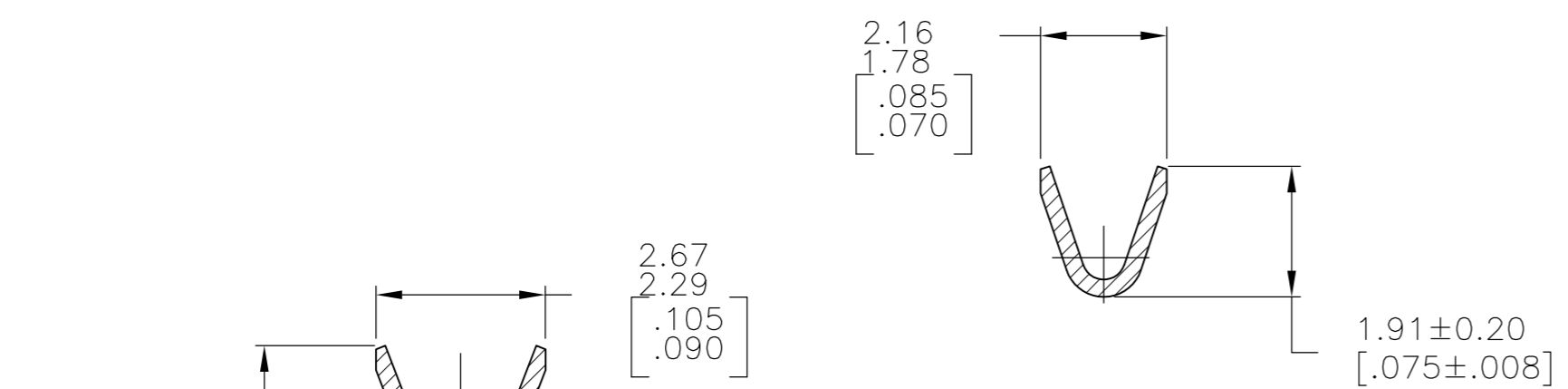
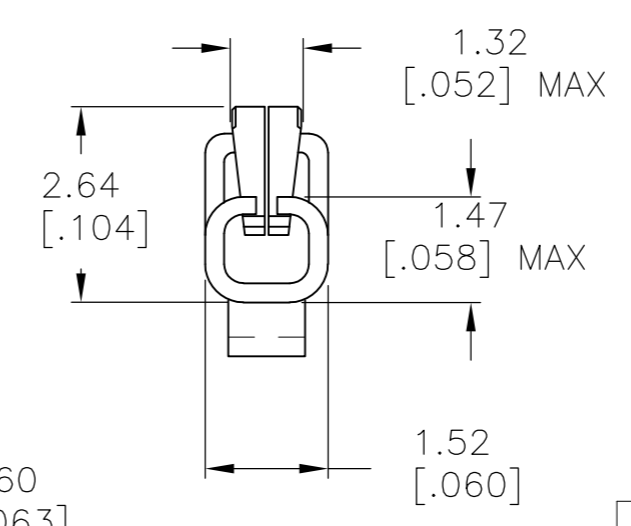
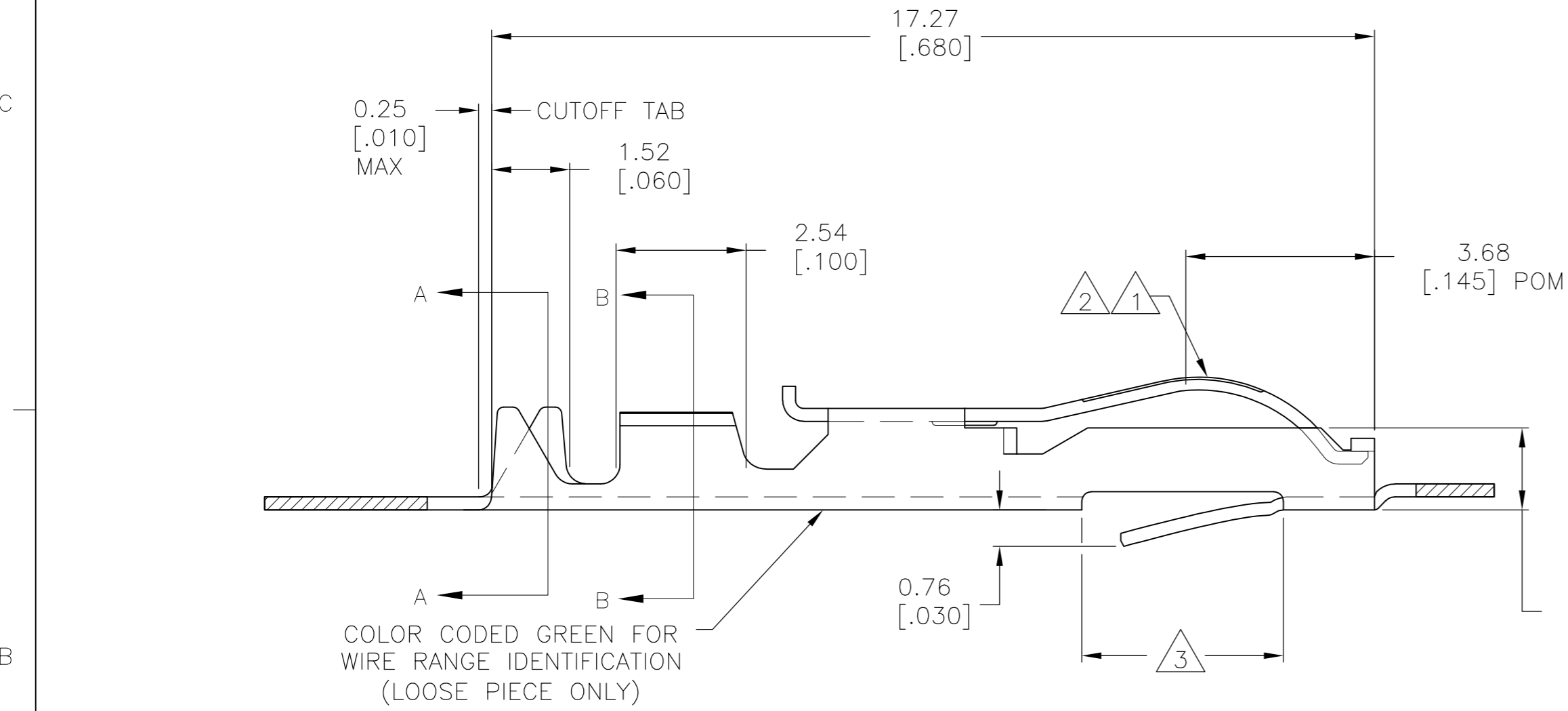


THIS DRAWING IS UNPUBLISHED. RELEASED FOR PUBLICATION  
 © COPYRIGHT - By - ALL RIGHTS RESERVED.

LOC		DIST		REVISIONS			
P	LTR	DESCRIPTION		DATE	DWN	APVD	
AD	00	V3		REVISED PER ECO-11-004820	11MAR11	RK	HMR



- 1 .000030 GOLD OVER .000030 NICKEL IN CONTACT AREA.
- 2 .000015 GOLD OVER .000030 NICKEL IN CONTACT AREA.
- 3 .067 MAX ALLOWED IN LOCKING LANCE AREA
- 4 TIN-LEAD IN CRIMP AREA.
- 5 OBSOLETE
- 6 .000050 GOLD OVER .000050 NICKEL IN CONTACT AREA. REMAINDER OF CONTACT GOLD FLASH OVER NICKEL.
- 7 .000015 GOLD OVER .000030 NICKEL IN CONTACT AREA. REMAINDER OF CONTACT GOLD FLASH OVER NICKEL.
- 8 UNPLATED PARTS IN STRIP FORM REELED ON CORRUGATED REEL FOR SALABLE PART.
- 9 TIN PLATE IN CRIMP AREA
- 10 OBSOLETE PARTS: OBSOLETE CIS STREAMLINING PER D.RENAUD/D.SINISI



	5-583853-3	-	1 9	5-583853-5
10	OBSOLETE	5-583853-2	<del>5-583853-7</del>	2 9
	1-583853-3	-	8	1-583853-1
	OBSOLETE	1-583853-0	<del>1-583853-2</del>	7
	583853-8	-	6	583853-9
	OBSOLETE	583853-3	<del>583853-6</del>	1 4
10	OBSOLETE	583853-2	<del>583853-7</del>	2 4
	STRIP PART # REELING LEFT TO RIGHT	STRIP PART # REELING RIGHT TO LEFT	FINISH	LOOSE PIECE

THIS DRAWING IS A CONTROLLED DOCUMENT.

DWN A. STAUB BG 02AUG93  
 CHK H ROSE 18FEB94  
 APVD H ROSE 18FEB94

TE Connectivity

CONTACT-TWIN LEAF (CRIMP-SNAP)

SIZE A2 CAGE CODE 00779 DRAWING NO C=583853 RESTRICTED TO -

MATERIAL PHOS BRONZE FINISH SEE TABLE WEIGHT - SCALE 10:1 SHEET 1 OF 1 REV V3

PRODUCT SPEC APPLICATION SPEC

TOLERANCES UNLESS OTHERWISE SPECIFIED:  
 0 PLC ± -  
 1 PLC ± -  
 2 PLC ± -  
 3 PLC ± .005  
 4 PLC ± -  
 ANGLES ± -

CUSTOMER DRAWING